



# Modular Cooking Range Line 900XP 2 Drawer Refrigerated Base

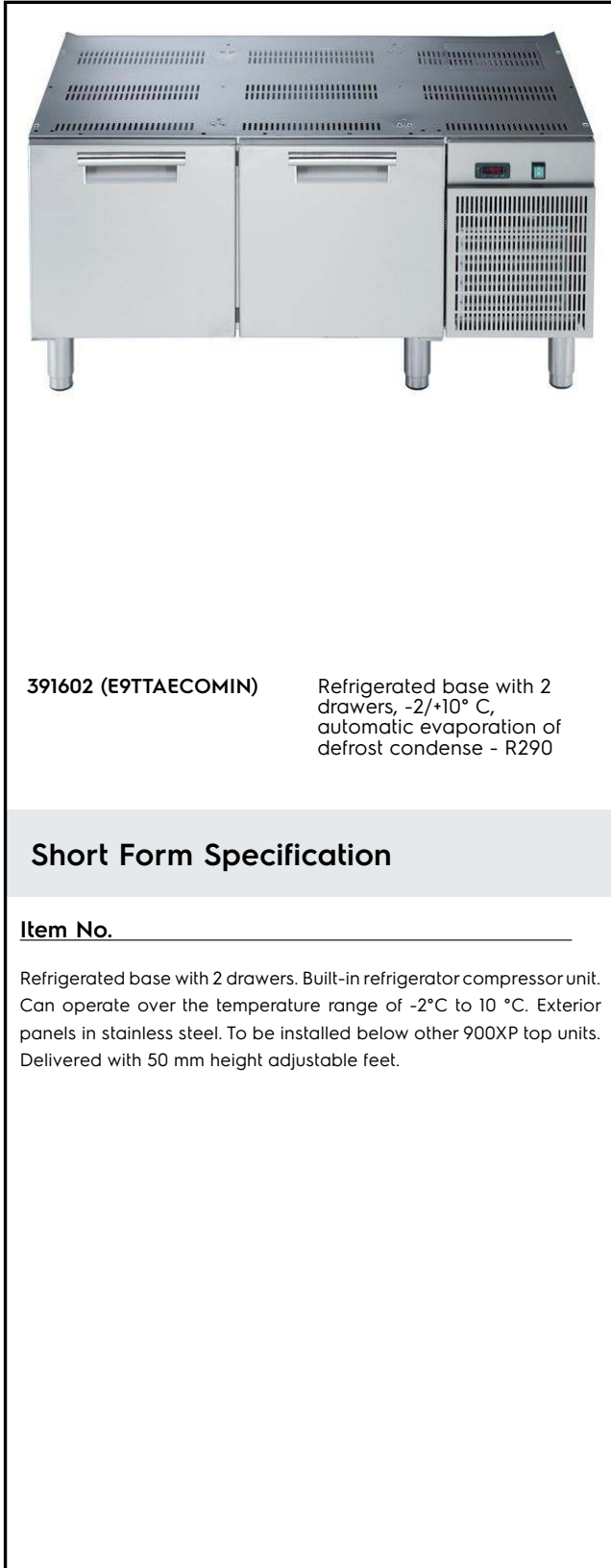
ITEM # \_\_\_\_\_

MODEL # \_\_\_\_\_

NAME # \_\_\_\_\_

SIS # \_\_\_\_\_

AIA # \_\_\_\_\_



391602 (E9TTAECOMIN)

Refrigerated base with 2 drawers, -2/+10° C, automatic evaporation of defrost condense - R290

## Short Form Specification

Item No. \_\_\_\_\_

Refrigerated base with 2 drawers. Built-in refrigerator compressor unit. Can operate over the temperature range of -2°C to 10 °C. Exterior panels in stainless steel. To be installed below other 900XP top units. Delivered with 50 mm height adjustable feet.

## Main Features

- Unit can be easily installed below other 900 line top models.
- Adjustable temperature range from -2 °C to +10 °C to suit meat, fish and dairy storage requirements.
- Forced air circulation for rapid cooling and an even temperature distribution.
- Defrosting and automatic evaporation of condense drain: the condense is automatically evaporated thanks to the electric resistance in the condense drain container.
- GN compliant.
- Designed for modular installation into the cooking block.

## Construction

- Constructed in Stainless steel with Scotch Brite finish to meet the highest hygiene standards.
- Built-in compressor to suit operating conditions.
- Access to all components from the front.
- Unit delivered with 150 mm height adjustable feet in Stainless steel. Feet can be extended up to 250 mm.

## Sustainability



- CFC and HCFC free (highly ecological refrigerant type: R290).

## Optional Accessories

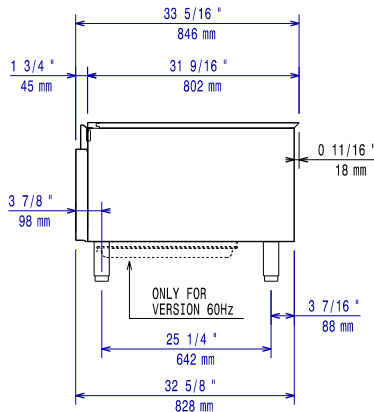
- Flanged feet kit PNC 206136
- Frontal kicking strip for concrete installation, 1200mm PNC 206151
- Frontal kicking strip, 1200mm (not for refr-freezer base) PNC 206178
- Rear paneling - 1200mm (700/900) PNC 206376
- Kit 3 base support for wheels PNC 206430
- Kit 6 wheels - 3 swivelling with brake PNC 206432

APPROVAL: \_\_\_\_\_

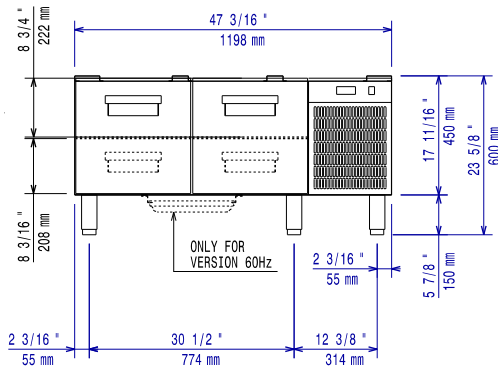


Experience the Excellence  
www.electroluxprofessional.com

Front

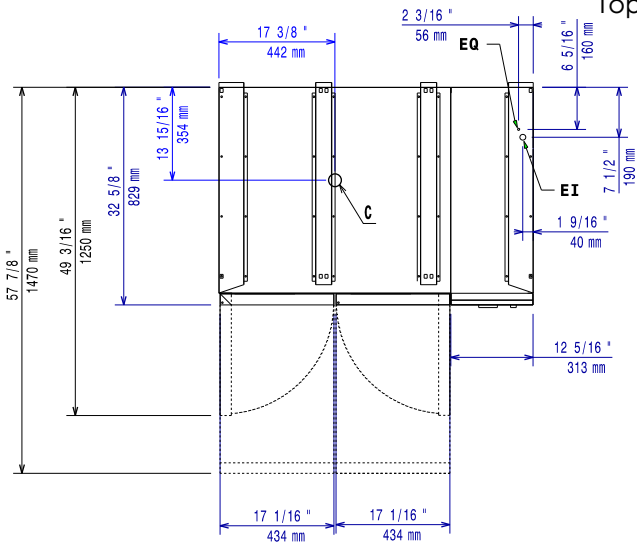


Side



D = Drain  
 EI = Electrical inlet (power)

Top



## Electric

|                        |                      |                       |
|------------------------|----------------------|-----------------------|
| Supply voltage:        | 391602 (E9TTAECOMIN) | 220-230 V/1N ph/50 Hz |
| Electrical power max.: |                      | 0.44 kW               |
| Total Watts:           |                      | 0.44 kW               |

## Key Information:

|                              |                     |
|------------------------------|---------------------|
| Gross capacity:              | 225 lt              |
| External dimensions, Width:  | 1200 mm             |
| External dimensions, Depth:  | 830 mm              |
| External dimensions, Height: | 600 mm              |
| Net weight:                  | 114 kg              |
| Shipping weight:             | 123 kg              |
| Shipping height:             | 830 mm              |
| Shipping width:              | 1060 mm             |
| Shipping depth:              | 1300 mm             |
| Shipping volume:             | 1.14 m <sup>3</sup> |

## Refrigeration Data

Compressor power:

## Sustainability

|                     |      |
|---------------------|------|
| Refrigerant type:   | R290 |
| Refrigerant weight: | 85 g |